

Chloramine Reducing System CRS 1060 / CRS 1100

Non-Electric, High
Performance Water
Conditioning System



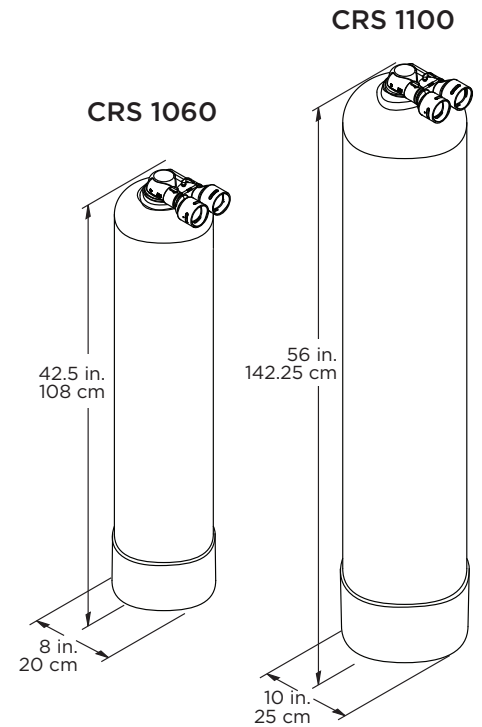
 **Kinetico**[®]
home water systems

Effective Whole-House Chloramine Reducing
System with Upflow Filtration
High-Capacity Chloraban™ Media
Can Be Installed Alone or with Other Kinetico
Water Treatment Systems
Simple, Reliable and Economical Operation
Installation and Service by Trained Water
Treatment Professionals

What Makes A Kinetico Chloramine Reduction/ Softener Combination System Different?

Combine a Kinetico Chloramine Reduction System with a Kinetico Water Softener for the ultimate in whole-home water treatment.

- 1. Flexible System.** The CRS 1060 or 1100 can be installed alone for chloramine reduction only, or with a Kinetico Water Softening System. Offers a continuous supply of dechloraminated, soft water. Enables system to regenerate with dechloraminated, soft water.
- 2. Non-Electric Operation.** Reliable. No timers or computers to set, adjust, repair or replace.
- 3. Efficient Chloramine Reduction.** For use on any water supply where chloramine reduction is desired. Special media adsorbs objectionable tastes and odors from chloraminated water. Eliminates drying of hair and skin from chloramine. Reduces deterioration of rubber seals in fixtures and appliances.
- 4. Exclusive Chloraban™ Media.** Extremely effective at reducing chloramine from water.
- 5. Continuous Conditioned Water.** Assures consistent and continuous chloramine-reduced water. Protects skin and hair, clothing, plumbing and appliances.
- 6. Efficient Use of Water.** No water consumption required to reduce chloramine.
- 7. Corrosion-Resistant Valve and Tanks.** Long Lasting. Can endure harsh environments.
- 8. Automatic Operation.** Just replace the media when capacity is reached, typically at least one year for a water supply with average chloramination.
- 9. Outstanding Warranty.** Dependability, peace of mind.



*Kinetico CRS 1100
Chloramine Combination*

